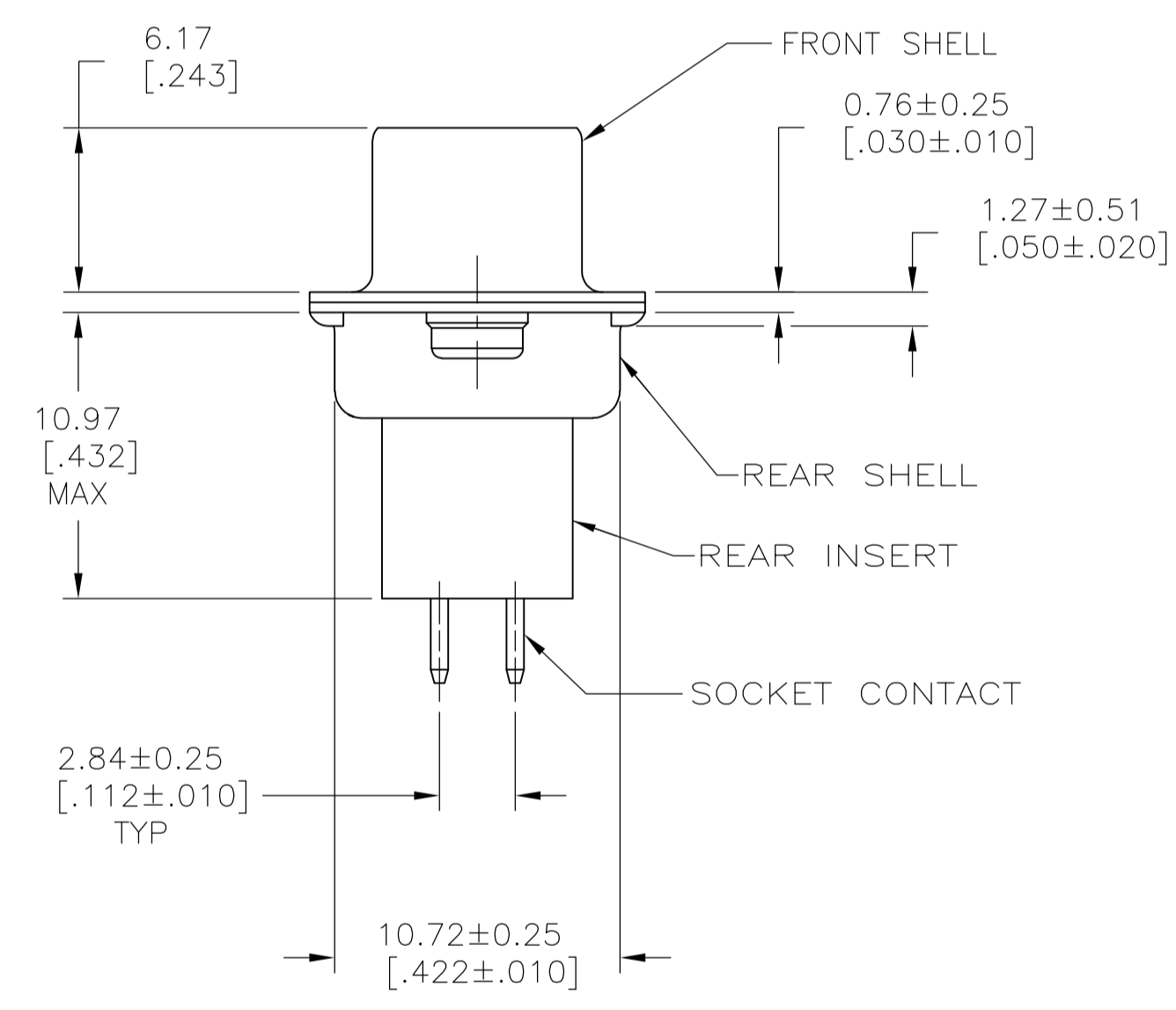
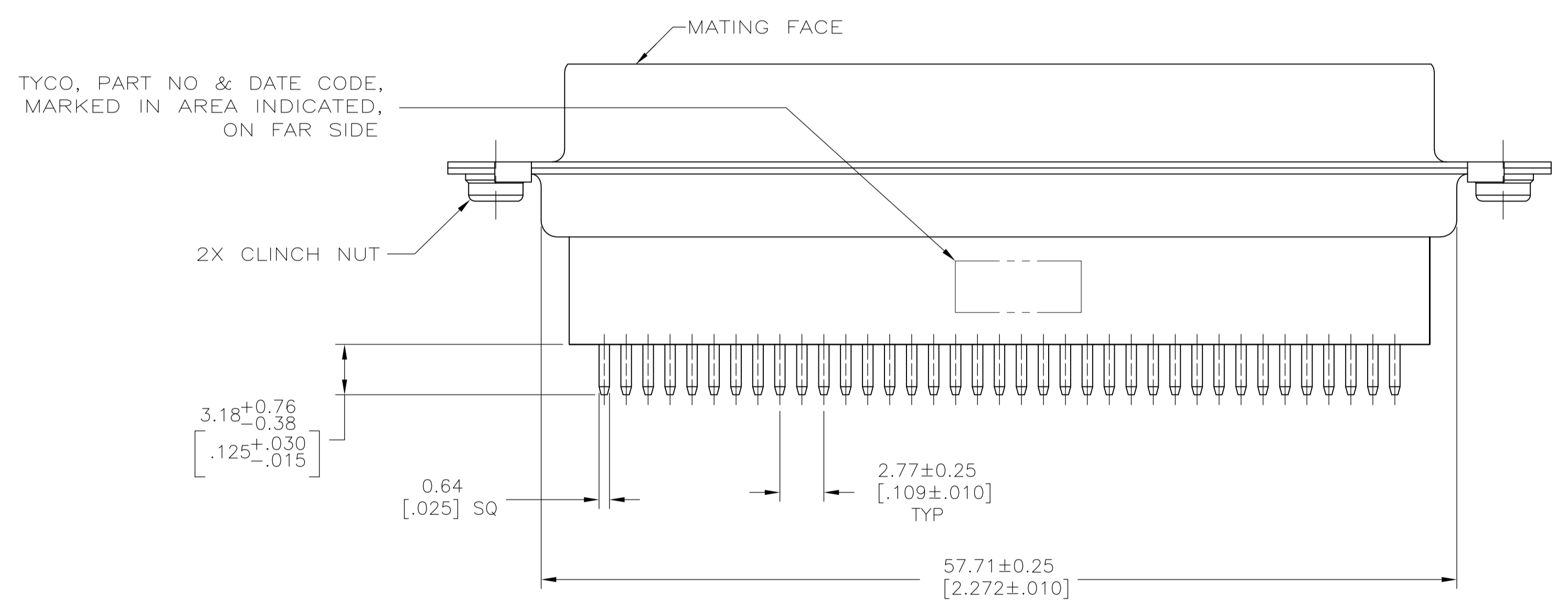


P.C. BOARD MOUNTING DIMENSIONS



- ⚠ MOLDED PARTS: GLASS-FILLED PBT OR GLASS-FILLED NYLON, UL94V-0 RATED. COLOR: BLACK. CLINCH NUTS & SHELLS: CARBON STEEL. CONTACTS: PHOS BRONZE.
- ⚠ CLINCH NUTS: 5.08µm [.000200] MIN ZINC WITH CLEAR CHROMATE COATING. SHELLS: 5.08µm [.000200] MIN TIN OVER 2.54µm [.000100] MIN COPPER. CONTACTS: 0.76µm [.000030] MIN GOLD ON MATING END, 2.54µm [.000100] MIN TIN ON SOLDER END, BOTH OVER 1.27µm [.000050] MIN NICKEL. -OR- GOLD FLASH OVER PALLADIUM-NICKEL 0.76µm [.000030] MIN TOTAL ON MATING END, 2.54µm [.000100] MIN TIN ON SOLDER END, BOTH OVER 1.27µm [.000050] MIN NICKEL.

5747315-1
PART NUMBER

THIS DRAWING IS A CONTROLLED DOCUMENT.		DIN B LATTUCA 23SEPT05	TE Connectivity
DIMENSIONS: mm [INCHES]		CHK S BOLASH 23SEPT05	
TOLERANCES UNLESS OTHERWISE SPECIFIED:		APPD M WALMSLEY 23SEPT05	NAME
0 PLC ± -			RECEPTACLE ASSY, SIZE 4,
1 PLC ± -			37 POS. VERTICAL, W/CLINCH
2 PLC ± 0.13 [.005]			AMPLIMITE HDP
3 PLC ± -			PRODUCT SPEC
4 PLC ± -			108-40025
ANGLES ± °			APPLICATION SPEC
			114-40013
MATERIAL	FINISH	WEIGHT	SIZE CAGE CODE DRAWING NO
1	2	-	A1 00779 5747315
CUSTOMER DRAWING		SCALE NTS	SHEET 1 OF 1 REV D